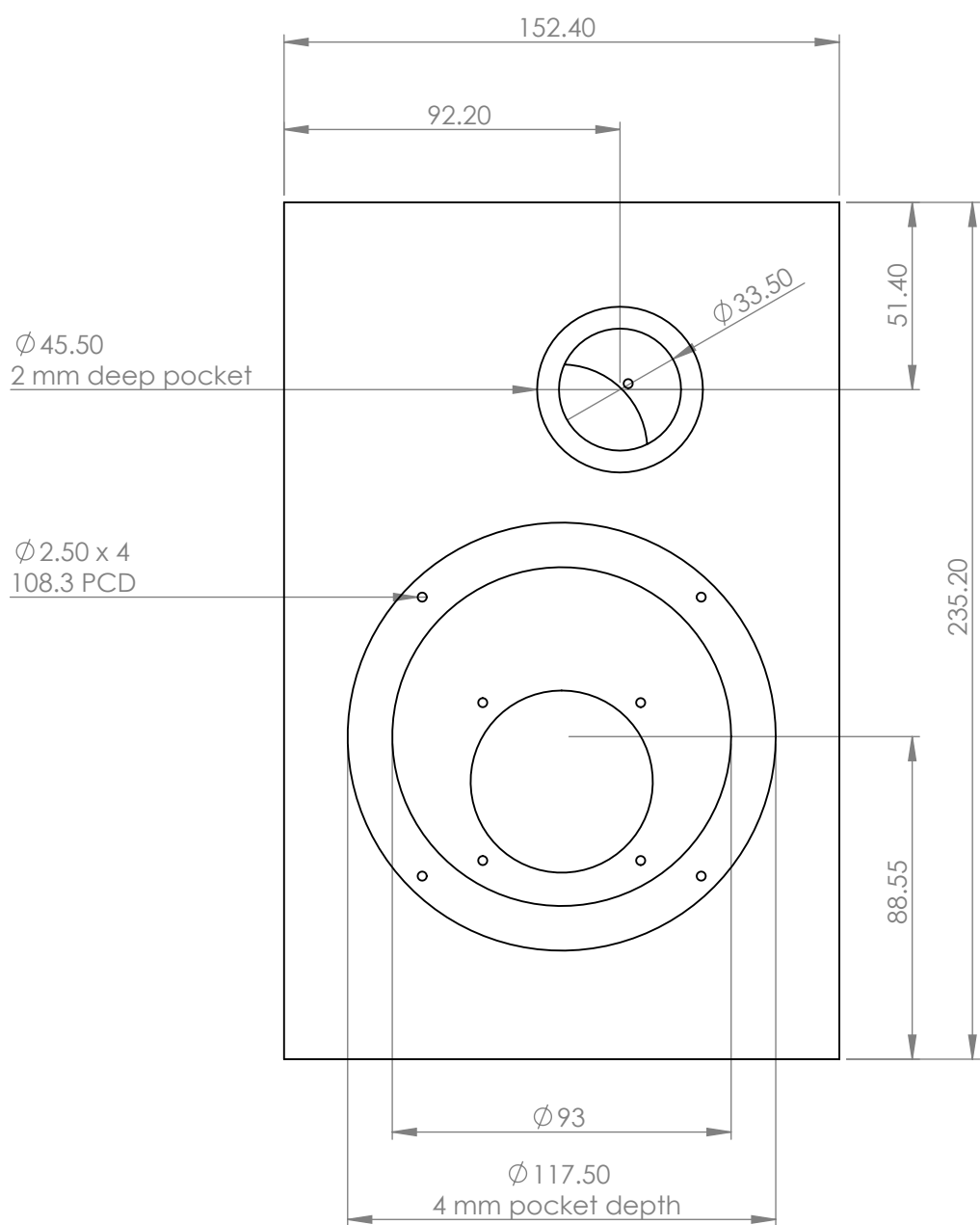
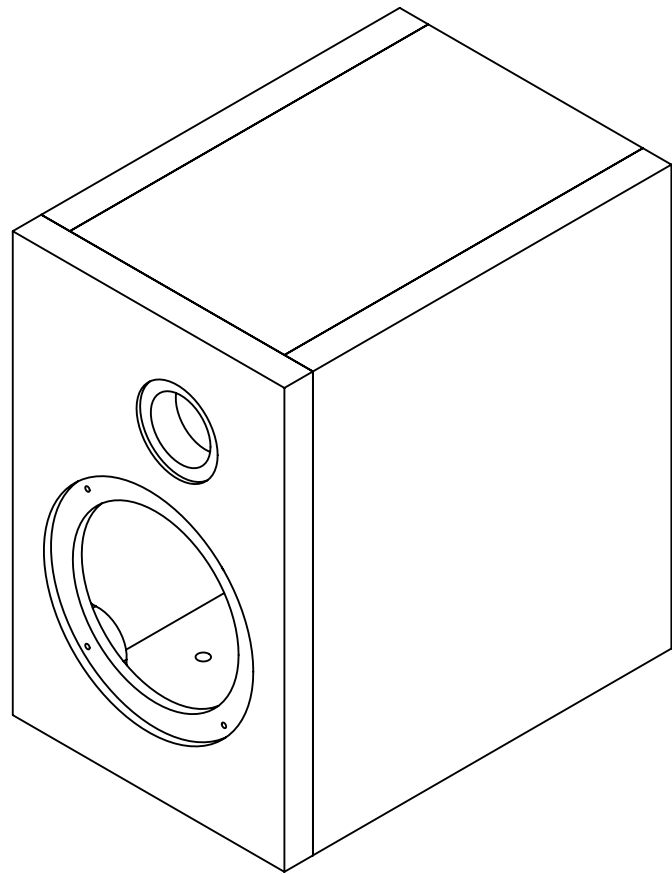
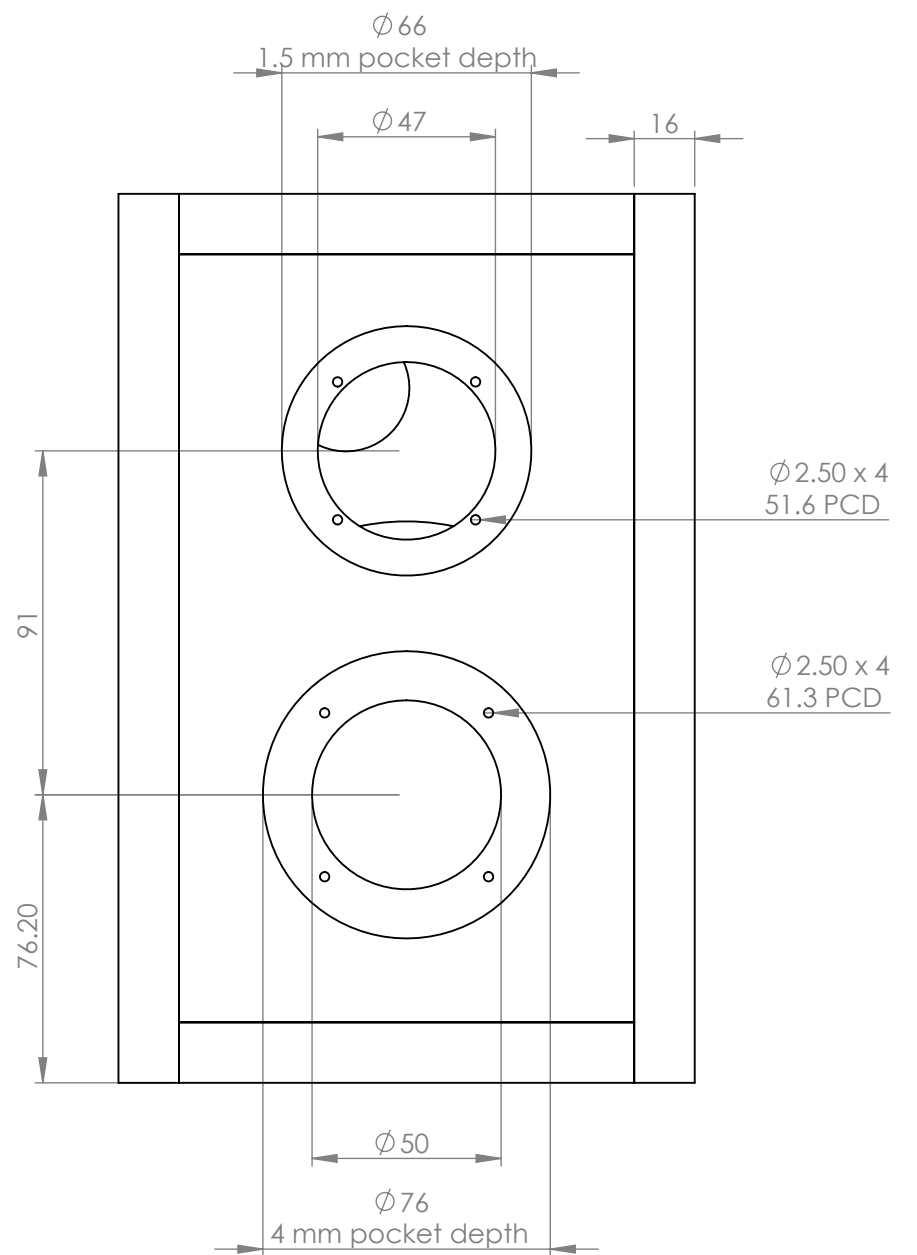


TOP



FRONT



BACK

**OVERNIGHT SENSATIONS**

Adapted by a Jeremy Young for 16 mm material thickness.  
Original design by Paul Carmody.  
[www.jeremyyoungdesign.com](http://www.jeremyyoungdesign.com)

Rev A. October 2016  
Rev B. July 2017